



DEPARTMENT OF RESOURCE MANAGEMENT

Building Division

1855 Placer Street, Suite 102

Redding, California 96001

Phone: (530) 225-5761 Fax: (530) 245-6468

Inspection Request Line: (530) 244-5068

Web: building.co.shasta.ca.us Email: resourcemanagement@co.shasta.ca.us

REQUIREMENTS FOR CUSTOMER POWER POLES

(Rev: 08-05-21)

Permanent Installations

Notes

1. Locate the guy in line with the service drop. The guy must be maintained taut.
2. Grounding and bonding, by the customer, must be in accordance with NEC and local ordinances (see Note 20 on Page 5), The ground rod must be located no less than 12 inches from the pole surface.
3. Customer's equipment must not be installed in the climbing space or over the pole brand. See Note 20 on Page 5 for grounding requirements.
4. For customer-owned poles, span lengths are limited to 150 feet. The vertical separation between conductors in extended rack construction is 8 inches minimum.
5. If the poles are to be set in *firm* soil, use the setting depths from the "Firm Soil" column of Table 3 on Page 3. If the poles are to be set in *rock*, use the setting depths from "Rock" column of Table 3 on Page 3. If the poles are to be set in *soft* soil, the poles must be set deeper than the depths shown in Table 3 on Page 3. Consult the PG&E project coordinator for the other approved methods for *soft* soil.

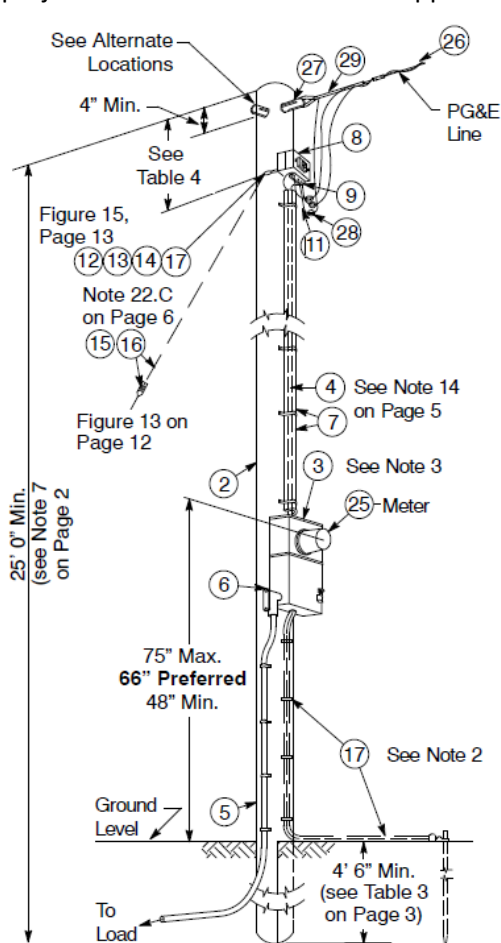


Figure 5
Service Drop Cable to Underground Line

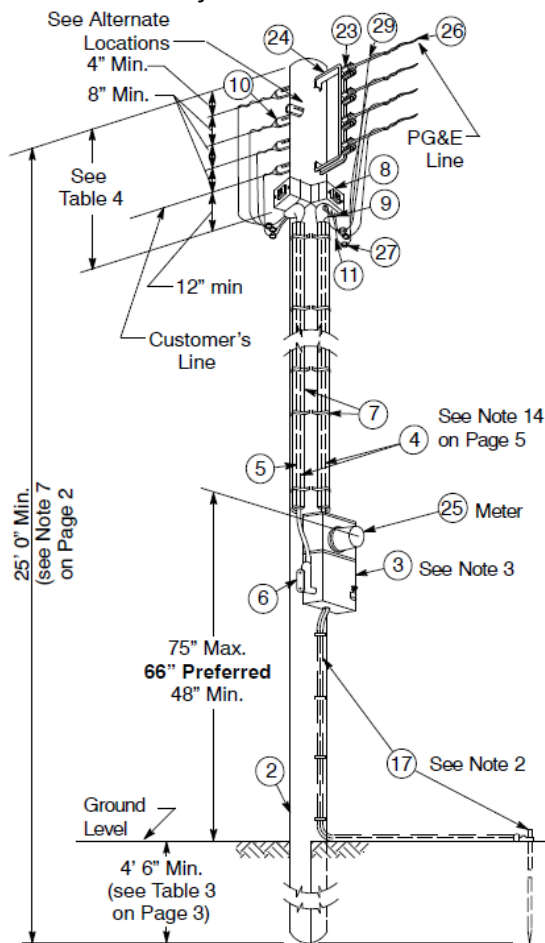


Figure 6
Service Drop Cable to Overhead Line

Table 5 Materials to Be Furnished and Installed by the Customer

Item	Description
1	Pole, 6" x 6" Timber, Class 6 Round, or Equivalent Metal (length as required, see Note 2 on Page 1)
2	Pole, Wood, or Equivalent Metal (see Note 6, Note 7, and Note 8 on Page 2). (See Table 1 on Page 3 for approved list of wood pole suppliers.)
3	Meter Socket, Main Service Switch
4	Conduit, Service (see Note 14 on Page 5)
5	Conduit, Load Side (see Note 14 on Page 5)
6	Conduit Fitting, Threaded, With Cover and Gasket
7 1	Covering, PVC Conduit, or PVC Moulding (see Page 9)
8 1	Wood Block (4" x 4" x 6" or two 2" x 4" x 6" nailed together)
9	Service Head
10	Service Knob
11	Wire, Insulated (size as required) (18" minimum extension from service head)
12	Bolt, Machine, 5/8 or 3/4, (as required), Galvanized
13	Washer, Curved, 3" x 3" (for 5/8" Bolt) or 4" x 4" (for 3/4" Bolt), Galvanized
14	Guy Hook or Guy Pole Plate and Thimble Assembly
15	Guy Strand Cable, 7/32" or 1/4" Minimum Galvanized Steel or Equivalent
16	Insulator, Guy Strain (10,000 lbs. minimum)
17	Guy Grip, Preform, (as required)
18	Anchor Rod, 5/8" x 6' 0" Minimum, and Fittings (as required)
19	Anchor, 16" Cross Plate, or 8" Expanding
20	Guy Marker
21	Push Brace, 2" x 4" Minimum Timber (securely bolted to pole)
22	Grounding by Customer (see Pages 8 and 10)

¹ Omit conduit covering, Item 7, and wood block, Item 8, on a metal pole or on a wood pole with plastic conduit (see Note 15 on Page 5). **Exception:** The wood block is required for a wood pole with plastic conduit when the service head is metallic and the neutral service entrance conductor is uninsulated (see Note 15 on Page 5).

Table 6 Materials to Be Furnished and Installed by PG&E

Items	Description	Document
23	Rack, Extended	015187
24	Spool and Clevis	022439
25	Meter, Watthour (as required)	-
26	Service Wire (as required)	059626
27	Insulator, for Service Wire (as required)	025202
28	Connectors, Service Sleeve (as required)	028852
29	Preformed Grip, Dead-End (as required)	028851