



**Residential Stairways and Landings**  
**Shasta County**  
**Department of Resource Management**  
**Building Division**

1855 Placer Street, Suite 102 Redding, CA 96001-1759  
 (530) 225-5761 \* Fax (530) 245-6468

Handout

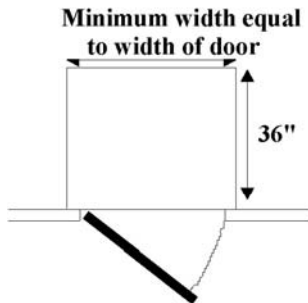
Rev. Date  
01/14

Page 1 of 2

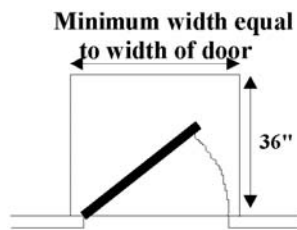
(2013 CRC R311 – Permit applications on or after January 1, 2014)

The following guidelines for the construction of landings and stairways apply only to single-family residential, private garages, and private-use agricultural buildings.

**Landings at doors**

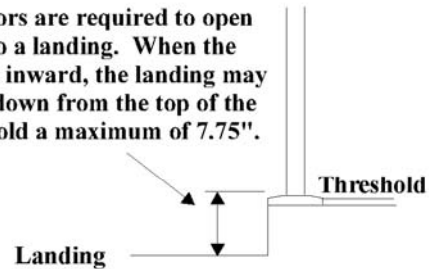


All landings are to be sloped a maximum of 1/4" per foot to drain water.



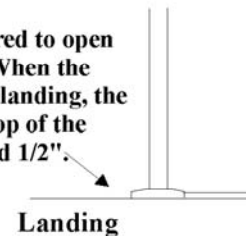
**Door swings in**

Exterior doors are required to open directly onto a landing. When the door swings inward, the landing may be stepped down from the top of the door threshold a maximum of 7.75".



**Door swings out**

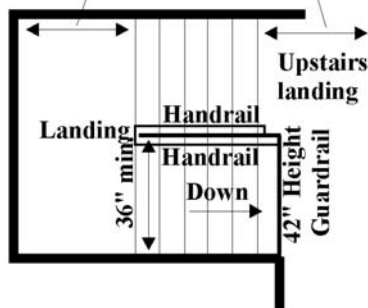
Exterior doors are required to open directly onto a landing. When the door swings out over the landing, the step down from the top of the threshold must not exceed 1/2".



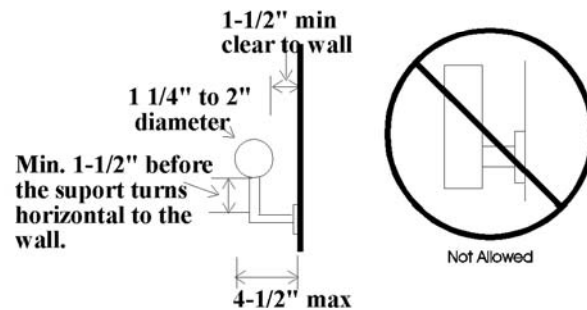
**Stairways and Handrails**

Note: Winding, circular or spiral stairways have special requirements not covered in this handout.

Equal to width of stairs but need not exceed 48".



Private stairways and landings are required to be a minimum of 36" in width. Handrails are required on one side of an interior stairway and continuous between landings. Stairways with less than 4 risers are not required to have handrails.



The handgrip portion of handrails shall be round and not less than 1-1/4" or more than 2" in cross-sectional dimension. If not round then the handgrip portion must have a 2-1/4" maximum cross section and a perimeter of 4" minimum to 6.25" maximum.

The handgrip portion of handrails shall have a smooth surface with no sharp corners. Other shapes may be acceptable if they provide an equivalent gripping.



**Residential Stairways and Landings**  
**Shasta County**  
**Department of Resource Management**  
**Building Division**

1855 Placer Street, Suite 102 Redding, CA 96001-1759  
(530) 225-5761 \* Fax (530) 245-6468

Handout

Rev. Date  
01/14

Page 2 of 2

When the run is less than 11 inches with a solid riser, a nosing is required.

