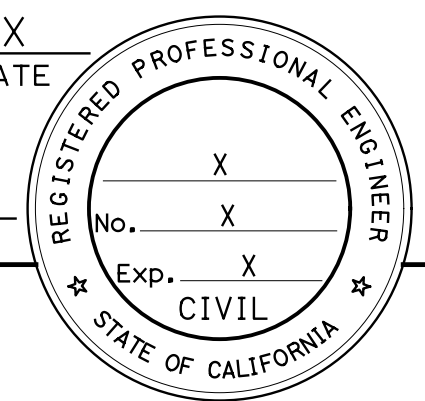


Index to Standard Plans

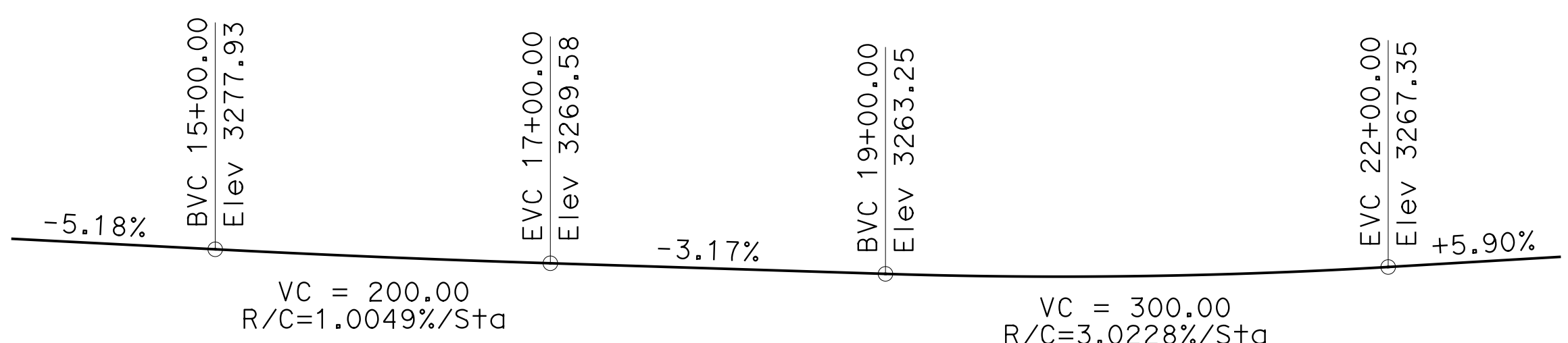
DIST	COUNTY	ROUTE	POST MILES TOTAL PROJECT	SHEET No	TOTAL SHEETS
02	Sha	7R02	NA		

REGISTERED CIVIL ENGINEER	X	DATE
PLANS APPROVAL DATE		



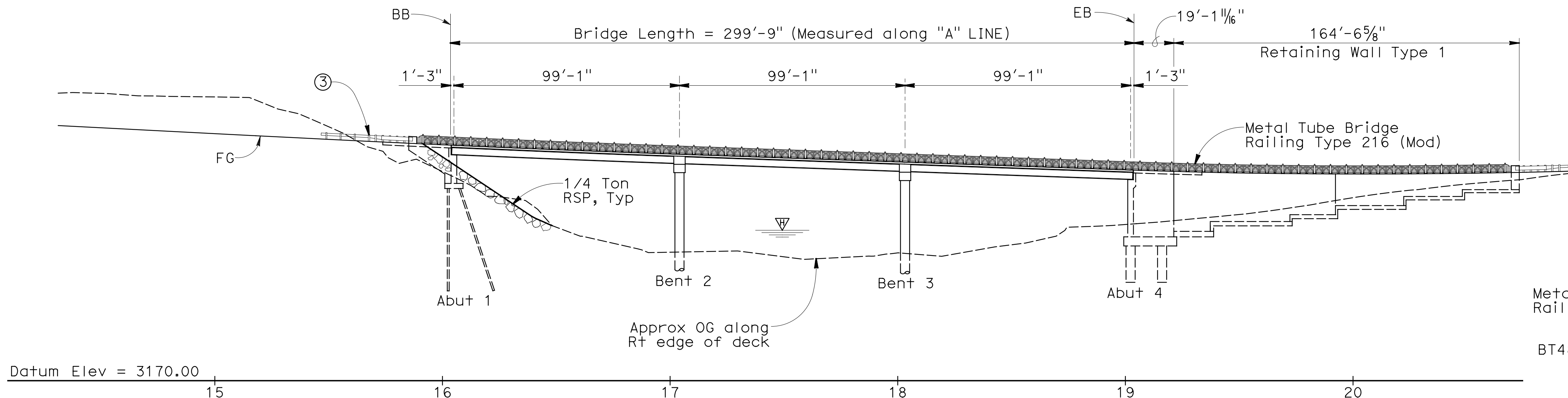
Prepared by:
MORRISON STRUCTURES, INC.
1890 PARK MARINA DRIVE, SUITE 104
REDDING, CA 96001

Prepared for:
COUNTY OF SHASTA
DEPARTMENT OF PUBLIC WORKS
1855 PLACER STREET
REDDING, CALIFORNIA 96001



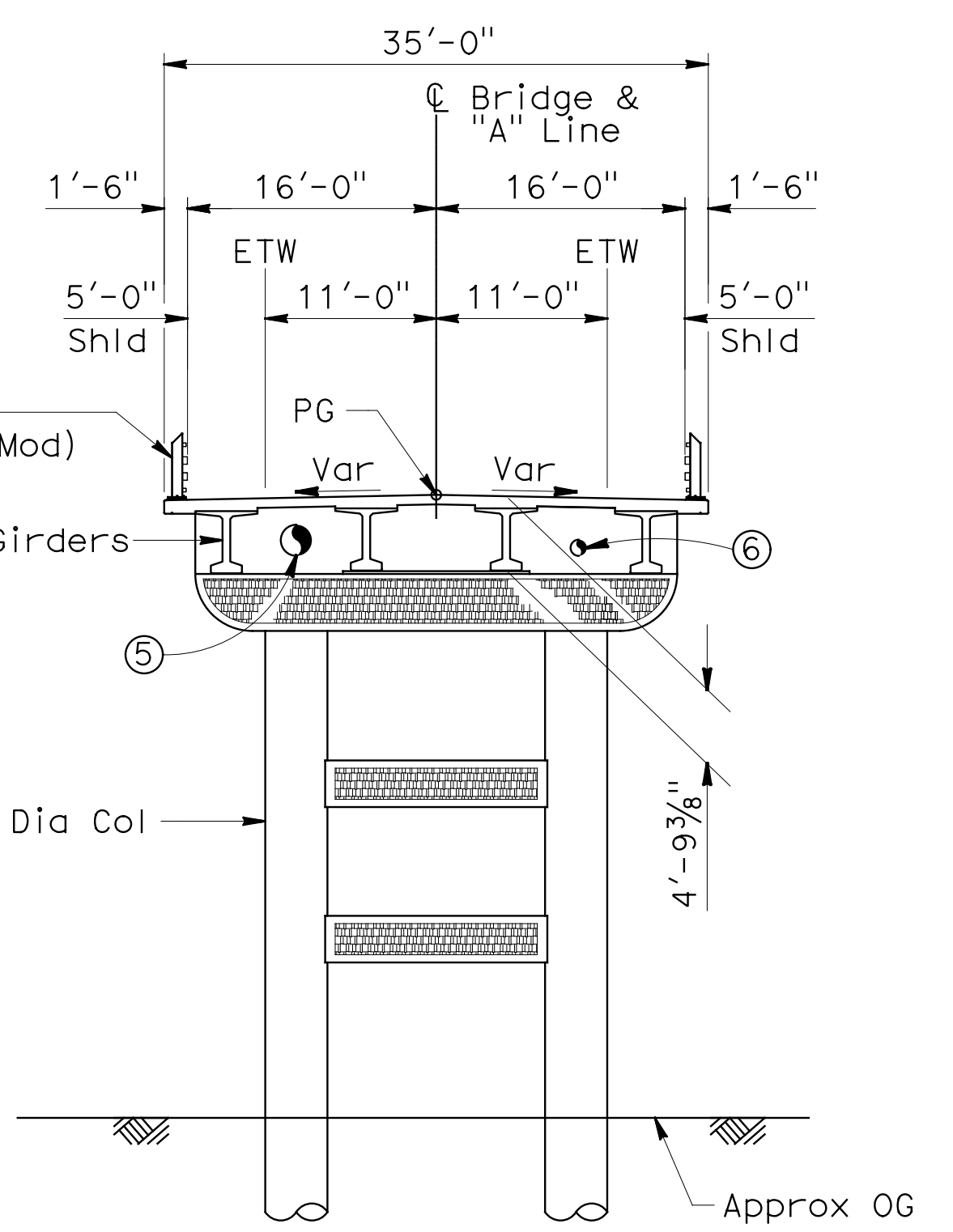
PROFILE GRADE

No Scale



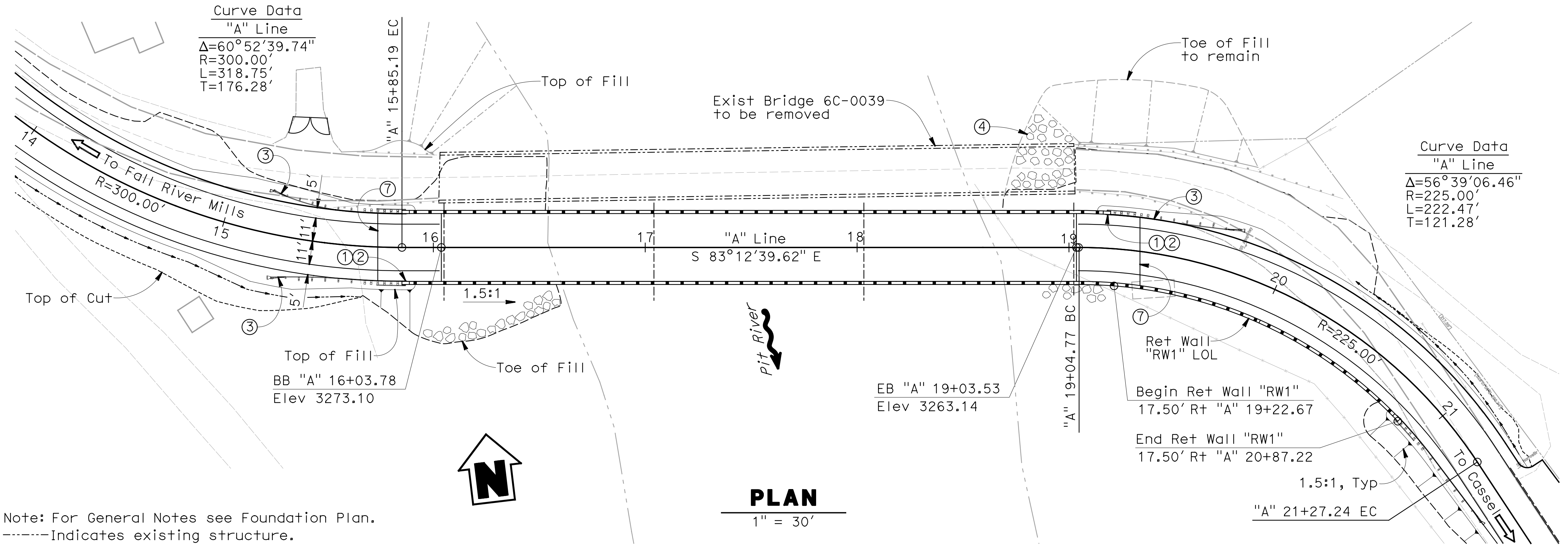
ELEVATION

1" = 30'



TYPICAL SECTION

1" = 10'



PLAN

1" = 30'

Notes

- ① Paint "BR NO. 06C0039" and year completed.
- ② Paint "Pit River Bridge".
- ③ Midwest Guardrail System. See Road Plans.
- ④ Existing RSP Embankment to remain.
- ⑤ Relocate 24" Water Line.
- ⑥ Relocate 10" Insulated Water Line.
- ⑦ Structure Approach Slab Type N (30S)

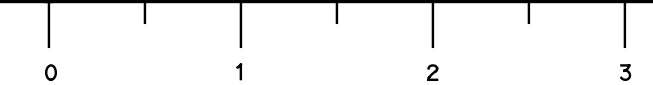


Note: For General Notes see Foundation Plan.
-----Indicates existing structure.

DESIGN	BY D. Roesner	CHECKED X	LOAD & RESISTANCE FACTOR DESIGN	LIVE LOADING: HL93 W/"LOW-BOY"; PERMIT DESIGN VEHICLE	REUSE OF DOCUMENTS	BRIDGE NO. 06C0039
DETAILS	BY R. Uhlmann	CHECKED X	LAYOUT	BY R. Uhlmann	CHECKED X	PROJECT ENGINEER
QUANTITIES	BY X	CHECKED X	SPECIFICATIONS	BY X	PLANS AND SPECS COMPARED X	POST MILES

PIT RIVER BRIDGE ON CASSEL-FALL RIVER ROAD
GENERAL PLAN

ORIGINAL SCALE IN INCHES FOR REDUCED PLANS



DISREGARD PRINTS BEARING EARLIER REVISION DATES	REVISION DATES	SHEET 1	OF 1
	1/25/17		X

USERNAME => Richard DATE PLOTTED => 2/6/2017 TIME PLOTTED => 3:20:10 PM